

EXPLANATION OF SPECIFICATIONS

| | |
|---------------------------|--|
| Part Number: | The catalog number for the individual shock absorber. |
| Extended Length*: | The length of the shock absorber when it is fully extended. See "How to Measure" instructions. |
| Collapsed Length*: | The length of the shock absorber when it is fully collapsed. See "How to Measure" instructions. |
| Stroke: | This is the approximate length of the stroke of the individual shock absorber being described. |
| Mounting Codes: | Indicates the type of mounting ends for the upper and lower end of each shock absorber. They are listed as follows: <ul style="list-style-type: none"> Stud type mounts ("S" & "DS") Eye ring and bushing mounts ("EB") Eye ring and bushing with sleeve mounts ("ES") Eye ring and bushing with bar pin mounts ("BP") Special mounting codes ("SP") |

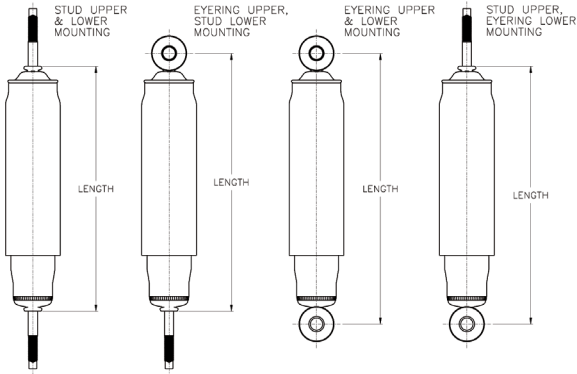
CONVERSION CHART

| Fraction (Inches) | Decimal (Inches) | Metric (MM) | Fraction (Inches) | Decimal (Inches) | Metric (MM) |
|----------------------|---------------------|----------------|----------------------|---------------------|----------------|
| 1/64 | 0.016 | 0.397 | 33/64 | 0.516 | 13.097 |
| 1/32 | 0.031 | 0.794 | 17/32 | 0.531 | 13.494 |
| 3/64 | 0.047 | 1.191 | 35/64 | 0.547 | 13.891 |
| 1/16 | 0.063 | 1.588 | 9/16 | 0.563 | 14.288 |
| 5/64 | 0.078 | 1.984 | 37/64 | 0.578 | 14.684 |
| 3/32 | 0.094 | 2.381 | 19/32 | 0.594 | 15.081 |
| 7/64 | 0.109 | 2.778 | 39/64 | 0.609 | 15.478 |
| 1/8 | 0.125 | 3.175 | 5/8 | 0.625 | 15.875 |
| 9/64 | 0.141 | 3.572 | 41/64 | 0.641 | 16.272 |
| 5/32 | 0.156 | 3.969 | 21/32 | 0.656 | 16.669 |
| 11/64 | 0.172 | 4.366 | 43/64 | 0.672 | 17.066 |
| 3/16 | 0.188 | 4.763 | 11/16 | 0.688 | 17.463 |
| 13/64 | 0.203 | 5.159 | 45/64 | 0.703 | 17.859 |
| 7/32 | 0.219 | 5.556 | 23/32 | 0.719 | 18.256 |
| 15/64 | 0.234 | 5.953 | 47/64 | 0.734 | 18.653 |
| 1/4 | 0.250 | 6.350 | 3/4 | 0.750 | 19.050 |
| 17/64 | 0.266 | 6.747 | 49/64 | 0.766 | 19.447 |
| 9/32 | 0.281 | 7.144 | 25/32 | 0.781 | 19.844 |
| 19/64 | 0.297 | 7.541 | 51/64 | 0.797 | 20.241 |
| 5/16 | 0.313 | 7.938 | 13/16 | 0.813 | 20.638 |
| 21/64 | 0.328 | 8.334 | 53/64 | 0.828 | 21.034 |
| 11/32 | 0.344 | 8.731 | 27/32 | 0.844 | 21.431 |
| 23/64 | 0.359 | 9.128 | 55/64 | 0.859 | 21.828 |
| 3/8 | 0.375 | 9.525 | 7/8 | 0.875 | 22.225 |
| 25/64 | 0.391 | 9.922 | 57/64 | 0.891 | 22.622 |
| 13/32 | 0.406 | 10.319 | 29/32 | 0.906 | 23.019 |
| 27/64 | 0.422 | 10.716 | 59/64 | 0.922 | 23.416 |
| 7/16 | 0.438 | 11.113 | 15/16 | 0.938 | 23.813 |
| 29/64 | 0.453 | 11.509 | 61/64 | 0.953 | 24.209 |
| 15/32 | 0.469 | 11.906 | 31/32 | 0.969 | 24.606 |
| 31/64 | 0.484 | 12.303 | 63/64 | 0.984 | 25.003 |
| 1/2 | 0.500 | 12.700 | 1 | 1.000 | 25.400 |

METRIC CONVERSION CHART

| MILLIMETERS | INCHES | MILLIMETERS | INCHES | MILLIMETERS | INCHES |
|-------------|---------|-------------|---------|-------------|---------|
| 1 | 0.03937 | 10 | 0.39370 | 19 | 0.74803 |
| 2 | 0.07874 | 11 | 0.43307 | 20 | 0.78740 |
| 3 | 0.11811 | 12 | 0.47244 | 21 | 0.82677 |
| 4 | 0.15748 | 13 | 0.51181 | 22 | 0.86614 |
| 5 | 0.19685 | 14 | 0.55118 | 23 | 0.90551 |
| 6 | 0.23622 | 15 | 0.59055 | 24 | 0.94488 |
| 7 | 0.27559 | 16 | 0.62992 | 25 | 0.98425 |
| 8 | 0.31496 | 17 | 0.66929 | | |
| 9 | 0.35433 | 18 | 0.70866 | | |

HOW TO MEASURE EXTENDED & COLLAPSED LENGTHS OF SHOCK ABSORBERS

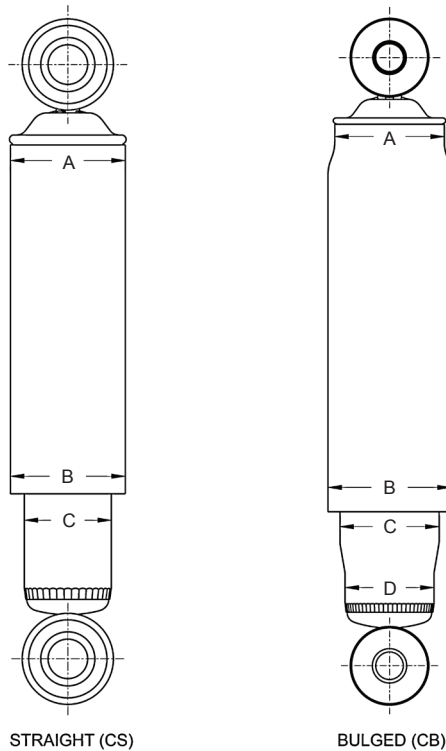


Instructions

1. Using the proper measuring points as shown above find the nearest replacement shock absorber from the listing increments of extended length.
2. Identify the proper mounting form the mounting codes and match these requirements by carefully measuring the mounting dimensions (top and bottom) of the shock absorber to be replaced.
3. Carefully take note of the following requirements:
 - a. **Mounting Accessories** - Contents and descriptions of parts are shown in this manual.
 - b. **Dust tubes** - This requirement should be noted in comparison with the shock absorber to be replaced. Shock absorber environment in its application makes this requirement necessary for piston rod protection and extended shock absorber life.
 - c. **Recoil Cutoff and Compression Bumper** - Carefully note these specifications- deviation of length requirements should not exceed $\pm 1/2"$. These shock absorber designs are footnoted for easy identification.
 - d. **Limited Environment Application** - Most conventional shock absorbers are offered in "straight" construction to fit limited environment applications. These shock absorber designs are footnoted.

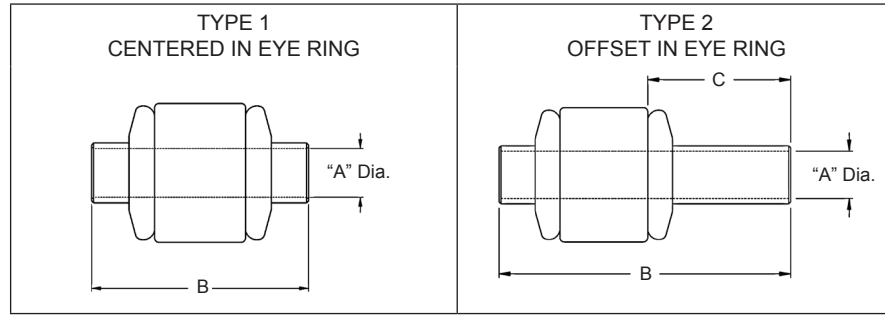
SHOCK ABSORBER DIAMETERS

Shown below are measuring points for diameters by type of shock absorber. Refer to the chart below which lists diameters for the various bore sizes available for each type.



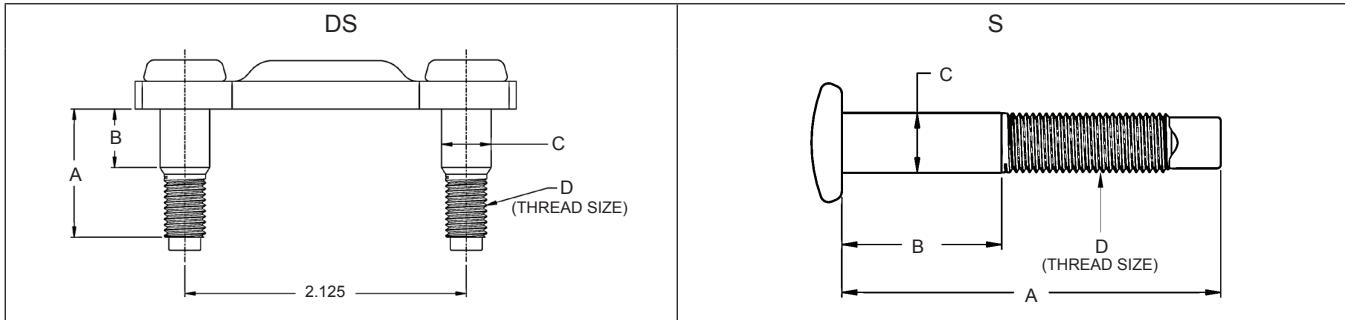
| BORE SIZE | SHOCK ABSORBERS | TYPE (Shown Above) | Diameters | | | |
|-----------|------------------------------------|-----------------------|-----------|------|------|------|
| | | | A | B | C | D |
| 1 3/16" | Classic, Guardian, Ultra Pass. Car | CS | 2.06 | 2.00 | 1.63 | NA |
| 1 3/16" | Classic, Guardian, Ultra Pass. Car | CB | 2.06 | 2.19 | 1.81 | 1.63 |
| 1 3/8" | Ultra Truck | CS | NA | 2.37 | 2.00 | NA |
| 1 3/8" | Ultra Truck | CB | 2.37 | 2.50 | 2.19 | 2.00 |

MOUNTING CODE "ES" EYE RING AND BUSHING WITH STEEL SLEEVE



| MOUNTING CODE | TYPE | DIMENSION | | | MOUNTING CODE | TYPE | DIMENSION | | | MOUNTING CODE | TYPE | DIMENSION | | |
|---------------|------|-----------|------|------|---------------|------|-----------|------|------|---------------|------|-----------|------|------|
| | | A | B | C | | | A | B | C | | | A | B | C |
| ES1 | 1 | 10MM | 1.25 | -- | ES56 | 1 | 14MM | 1.58 | -- | ES121 | 1 | 3/4 | 2.06 | -- |
| ES2 | 1 | 10MM | 1.42 | -- | ES57 | 1 | 10MM | 1.03 | -- | ES123 | 1 | 16MM | 1.57 | -- |
| ES3 | 1 | 10MM | 1.56 | -- | ES58 | 1 | 14MM | 2.13 | -- | ES126 | 1 | 1/2 | 2.44 | -- |
| ES4 | 2 | 1/2 | 2.20 | 0.77 | ES59 | 1 | 15MM | 1.56 | -- | ES128 | 1 | 1/2 | 1.66 | -- |
| ES5 | 1 | 10MM | 2.07 | -- | ES60 | 1 | 14MM | 1.26 | -- | ES130 | 1 | 1/2 | 1.56 | -- |
| ES6 | 1 | 10MM | 2.35 | -- | ES61 | 1 | 12MM | 1.76 | -- | ES133 | 1 | 12MM | 1.93 | -- |
| ES7 | 1 | 9/16 | 1.25 | -- | ES62 | 1 | 12MM | 0.98 | -- | ES136 | 1 | 5/8 | 1.75 | -- |
| ES8 | 1 | 7/16 | 1.25 | -- | ES63 | 1 | 15MM | 2.28 | -- | ES137 | 1 | 1/2 | 1.73 | -- |
| ES9 | 1 | 7/16 | 1.31 | -- | ES64 | 1 | 16MM | 1.25 | -- | ES138 | 1 | 5/8 | 1.70 | -- |
| ES10 | 1 | 7/16 | 1.38 | -- | ES65 | 1 | 12MM | 1.38 | -- | ES139 | 1 | 12MM | 1.35 | -- |
| ES11 | 1 | 7/16 | 1.50 | -- | ES66 | 1 | 16MM | 1.38 | -- | ES141 | 1 | 12MM | 1.61 | -- |
| ES12 | 1 | 7/16 | 1.62 | -- | ES67 | 1 | 16MM | 1.56 | -- | ES142 | 1 | 16MM | 1.43 | -- |
| ES13 | 1 | 9/16 | 1.89 | -- | ES68 | 1 | 9/16 | 1.35 | -- | ES143 | 1 | 9/16 | 1.60 | -- |
| ES14 | 1 | 7/16 | 1.88 | -- | ES69 | 1 | 12MM | 1.58 | -- | ES145 | 1 | 7/16 | 2.25 | -- |
| ES15 | 1 | 9/16 | 2.79 | -- | ES70 | 2 | 7/16 | 1.88 | 0.70 | ES146 | 1 | 12MM | 1.37 | -- |
| ES16 | 1 | 7/16 | 3.15 | -- | ES71 | 1 | 15MM | 2.15 | -- | ES147 | 1 | 12MM | 1.97 | -- |
| ES17 | 1 | 12MM | 1.25 | -- | ES72 | 1 | 16MM | 1.65 | -- | ES149 | 1 | 1/2 | 2.36 | -- |
| ES18 | 1 | 12MM | 1.65 | -- | ES73 | 1 | 16MM | 1.74 | -- | ES150 | 1 | 3/4 | 2.24 | -- |
| ES19 | 1 | 12MM | 1.88 | -- | ES74 | 1 | 16MM | 1.93 | -- | ES152 | 1 | 20MM | 1.69 | -- |
| ES20 | 1 | 12MM | 1.95 | -- | ES75 | 1 | 16MM | 2.04 | -- | ES153 | 1 | 14MM | 1.55 | -- |
| ES21 | 1 | 12MM | 2.28 | -- | ES76 | 1 | 17/32 | 1.49 | -- | ES157 | 2 | 1/2 | 2.05 | 0.95 |
| ES22 | 1 | 1/2 | 1.25 | -- | ES77 | 1 | 20MM | 2.35 | -- | ES158 | 1 | 3/4 | 3.80 | -- |
| ES23 | 1 | 1/2 | 1.31 | -- | ES78 | 1 | 10MM | 1.92 | -- | ES159 | 2 | 3/4 | 3.21 | 1.03 |
| ES24 | 1 | 1/2 | 1.38 | -- | ES79 | 1 | 21/32 | 1.58 | -- | ES160 | 1 | 1.00 | 2.01 | -- |
| ES25 | 1 | 1/2 | 1.50 | -- | ES80 | 2 | 25/32 | 1.69 | 0.07 | ES161 | 1 | 16MM | 3.95 | -- |
| ES26 | 1 | 1/2 | 1.56 | -- | ES81 | 1 | 31/64 | 1.26 | -- | ES162 | 1 | 16MM | 2.60 | -- |
| ES27 | 1 | 1/2 | 1.62 | -- | ES82 | 1 | 31/64 | 1.53 | -- | ES163 | 1 | 7/16 | 2.50 | -- |
| ES28 | 1 | 9/16 | 3.15 | -- | ES83 | 1 | 12MM | 1.48 | -- | ES164 | 1 | 1/2 | 2.26 | -- |
| ES29 | 1 | 10MM | 2.95 | -- | ES84 | 1 | 10MM | 1.62 | -- | ES165 | 1 | 1/2 | 1.75 | -- |
| ES30 | 1 | 12MM | 2.57 | -- | ES85 | 1 | 12MM | 2.36 | -- | ES166 | 1 | 5/8 | 2.97 | -- |
| ES31 | 2 | 1/2 | 2.25 | 1.00 | ES86 | 1 | 14MM | 2.44 | -- | ES167 | 1 | 14MM | 2.31 | -- |
| ES32 | 1 | 1/2 | 3.34 | -- | ES87 | 1 | 31/64 | 1.65 | -- | ES168 | 1 | 14MM | 2.62 | -- |
| ES33 | 1 | 12MM | 3.15 | -- | ES88 | 1 | 12MM | 1.81 | -- | ES169 | 1 | 14MM | 1.91 | -- |
| ES34 | 1 | 9/16 | 1.66 | -- | ES89 | 1 | 39/64 | 2.16 | -- | ES171 | 1 | 1/2 | 1.88 | -- |
| ES35 | 1 | 5/8 | 1.38 | -- | ES90 | 1 | 5/8 | 2.00 | -- | ES172 | 1 | 1/2 | 2.72 | -- |
| ES36 | 1 | 3/4 | 1.75 | -- | ES91 | 1 | 1/2 | 2.10 | -- | ES173 | 1 | 7/8 | 2.28 | -- |
| ES37 | 1 | 12MM | 1.01 | -- | ES92 | 2 | 39/64 | 2.20 | 0.88 | ES174 | 1 | 5/8 | 3.25 | -- |
| ES38 | 1 | 7/16 | 2.18 | -- | ES93 | 2 | 39/64 | 2.57 | 0.79 | ES175 | 1 | 16MM | 1.96 | -- |
| ES39 | 1 | 10MM | 1.31 | -- | ES94 | 1 | 1/2 | 2.15 | -- | ES176 | 1 | 16MM | 3.72 | -- |
| ES40 | 1 | 7/16 | 3.38 | -- | ES95 | 1 | 41/64 | 2 | -- | ES177 | 1 | 16MM | 3.55 | -- |
| ES41 | 1 | 12MM | 3.48 | -- | ES96 | 1 | 45/64 | 1.57 | -- | ES178 | 1 | 3/4 | 1.96 | -- |
| ES42 | 1 | 12MM | 3.77 | -- | ES99 | 1 | 14MM | 1.42 | -- | ES179 | 1 | 20MM | 1.75 | -- |
| ES43 | 1 | 13MM | 1.31 | -- | ES102 | 1 | 10MM | 1.77 | -- | ES181 | 1 | 7/16 | 1.98 | -- |
| ES44 | 1 | 10MM | 2.28 | -- | ES104 | 1 | 20MM | 1.58 | -- | ES182 | 1 | 20MM | 1.96 | -- |
| ES45 | 1 | 13MM | 1.68 | -- | ES106 | 1 | 10MM | 1.48 | -- | ES183 | 1 | 20MM | 3.80 | -- |
| ES46 | 1 | 13MM | 1.73 | -- | ES107 | 1 | 12MM | 2.15 | -- | ES184 | 1 | 20MM | 2.44 | -- |
| ES47 | 1 | 13MM | 2.50 | -- | ES109 | 1 | 10MM | 0.95 | -- | ES185 | 1 | 12MM | 2.44 | -- |
| ES48 | 1 | 14MM | 1.42 | -- | ES110 | 1 | 16MM | 1.61 | -- | ES187 | 1 | 1.00 | 1.75 | -- |
| ES49 | 1 | 14MM | 1.66 | -- | ES111 | 1 | 9MM | 1.78 | -- | ES188 | 1 | 16MM | 1.81 | -- |
| ES50 | 1 | 14MM | 1.81 | -- | ES112 | 1 | 12MM | 1.08 | -- | ES190 | 1 | 22MM | 1.75 | -- |
| ES51 | 1 | 14MM | 1.89 | -- | ES113 | 1 | 16MM | 1.49 | -- | ES191 | 1 | 1.00 | 2.44 | -- |
| ES52 | 1 | 14MM | 1.96 | -- | ES114 | 1 | 12MM | 2.04 | -- | ES192 | 1 | 24MM | 2.44 | -- |
| ES53 | 1 | 10MM | 1.38 | -- | ES115 | 1 | 10MM | 2.02 | -- | ES193 | 1 | 24MM | 2.28 | -- |
| ES54 | 1 | 12MM | 2.91 | -- | ES118 | 1 | 12MM | 1.31 | -- | ES194 | 1 | 7/8 | 2.28 | -- |
| ES55 | 1 | 14MM | 2 | -- | ES120 | 1 | 3/4 | 2.76 | -- | | | | | |

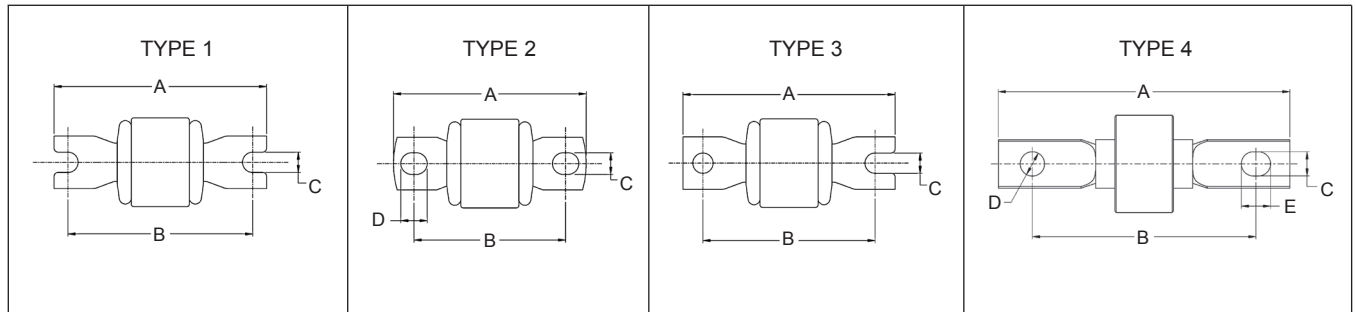
MOUNTING CODE “DS” & “S” STUD MOUNTS



| MOUNTING CODE | A | B | C | D |
|---------------|------|------|------|----------|
| DS1 | 1.27 | 0.66 | 3/8 | 5/16-24 |
| S1 | 2.37 | 1.00 | 3/8 | 3/8-24 |
| S2 | 2.06 | 1.00 | 3/8 | 3/8-24 |
| S3 | 2.67 | 1.37 | 10MM | 3/8-16 |
| S4 | 1.85 | 1.00 | 3/8 | 3/8-24 |
| S5 | 1.29 | 1.14 | 13MM | 3/8-24 |
| S6 | 2.47 | 1.47 | 7/16 | 3/8-24 |
| S7 | 1.97 | 1.00 | 3/8 | 3/8-24 |
| S8 | 1.75 | 1.00 | 10MM | 3/8-24 |
| S9 | 1.84 | 1.05 | 7/16 | 3/8-24 |
| S10 | 2.37 | 1.33 | 7/16 | 3/8-24 |
| S11 | 3.00 | 1.12 | 3/8 | 3/8-24 |
| S12 | 2.37 | 1.15 | 7/16 | 3/8-24 |
| S13 | 2.06 | 1.35 | 3/8 | 3/8-24 |
| S14 | 2.25 | 1.33 | 7/16 | 3/8-24 |
| S15 | 3.29 | 1.98 | 3/8 | 3/8-24 |
| S16 | 2.95 | 1.45 | 16MM | 16MM |
| S17 | 2.15 | 1.03 | 7/16 | 3/8-24 |
| S18 | 2.67 | 1.81 | 10MM | M10x1.25 |
| S19 | 1.34 | 0.41 | 7/16 | M10x1 |
| S20 | 1.34 | 0.41 | 10MM | M10x1 |
| S21 | 3.28 | 1.75 | 5/8 | 5/8-18 |
| S22 | 0.75 | 0.35 | 10MM | M10x1 |
| S23 | 1.84 | 1.05 | 3/8 | 3/8-24 |
| S24 | 1.22 | 0.31 | 11MM | M10x1 |
| S25 | 1.81 | 1.50 | 3/8 | M10x1 |
| S26 | 2.02 | 0.82 | 12MM | M10x1 |
| S27 | 2.36 | 1.14 | 10MM | M10x1 |
| S28 | 2.44 | 1.37 | 12MM | M10x1 |
| S29 | 2.99 | 1.87 | 3/8 | 3/8-24 |
| S30 | 2.59 | 1.41 | 10MM | M10x1 |
| S31 | 0.79 | 0.40 | 17MM | 10MM |
| S32 | 2.31 | 1.38 | 14MM | 12MM |
| S33 | 3.44 | 2.17 | 10MM | M10x1 |
| S34 | 1.06 | 0.59 | 5/16 | M8x1.25 |
| S35 | 2.60 | 1.12 | 7/16 | 3/8-24 |

| MOUNTING CODE | A | B | C | D |
|---------------|------|------|-------|----------|
| S36 | 2.49 | 1.33 | 7/16 | 3/8-24 |
| S37 | 3.18 | 1.41 | 12MM | M10x1 |
| S38 | 2.75 | 1.70 | 14MM | 12MM |
| S39 | 2.20 | 1.31 | 10MM | 10MM |
| S40 | 2.52 | 1.33 | 7/16 | 3/8-24 |
| S41 | 3.48 | 2.32 | 5/8 | 1/2-20 |
| S42 | 3.50 | 2.00 | 5/8 | 5/8-18 |
| S43 | 2.75 | 1.25 | 5/8 | 5/8-18 |
| S44 | 1.57 | 0.39 | 10MM | M10x1.25 |
| S45 | 2.36 | 1.00 | 10MM | M10x1.25 |
| S46 | 1.57 | 1.18 | 10MM | M10x1.25 |
| S47 | 2.20 | 1.31 | 10MM | M10x1.25 |
| S48 | 2.55 | 1.51 | 10MM | M10x1.25 |
| S49 | 2.67 | 1.29 | 10MM | M10x1.25 |
| S50 | 2.95 | 1.57 | 10MM | M10x1.25 |
| S51 | 3.00 | 1.65 | 10MM | M10x1.25 |
| S52 | 1.18 | 0.74 | 10MM | M10x1.5 |
| S53 | 2.16 | 1.89 | 10MM | M10x1.5 |
| S54 | 2.42 | 1.28 | 15MM | M10x1.5 |
| S55 | 2.51 | 1.39 | 10MM | M10x1.5 |
| S56 | 2.67 | 1.53 | 11MM | M10x1.5 |
| S57 | 2.95 | 1.40 | 27/64 | M10x1.5 |
| S58 | 2.98 | 1.68 | 10MM | M10x1.5 |
| S59 | 2.98 | 1.68 | 12MM | M10x1.5 |
| S60 | 3.46 | 1.96 | 9/16 | M10x1.5 |
| S61 | 3.11 | 1.45 | 14MM | M12x1.25 |
| S62 | 3.24 | 1.70 | 9/16 | M12x1.25 |
| S63 | 3.54 | 2.24 | 17MM | M12x1.25 |
| S64 | 2.36 | 1.18 | 12MM | M12x1.5 |
| S65 | 2.89 | 1.65 | 12MM | M12x1.5 |
| S66 | 1.39 | 0.15 | 12MM | M12x1.75 |
| S67 | 2.40 | 1.53 | 9/16 | M14x1.5 |
| S68 | 2.95 | 1.45 | 5/8 | M16x1.5 |
| S69 | 1.32 | 1.37 | 39/64 | M16x2 |
| S70 | 1.88 | 0.90 | 7/16 | M8x1.25 |

MOUNTING CODE "BP" EYE RING AND BUSHING WITH BAR PIN



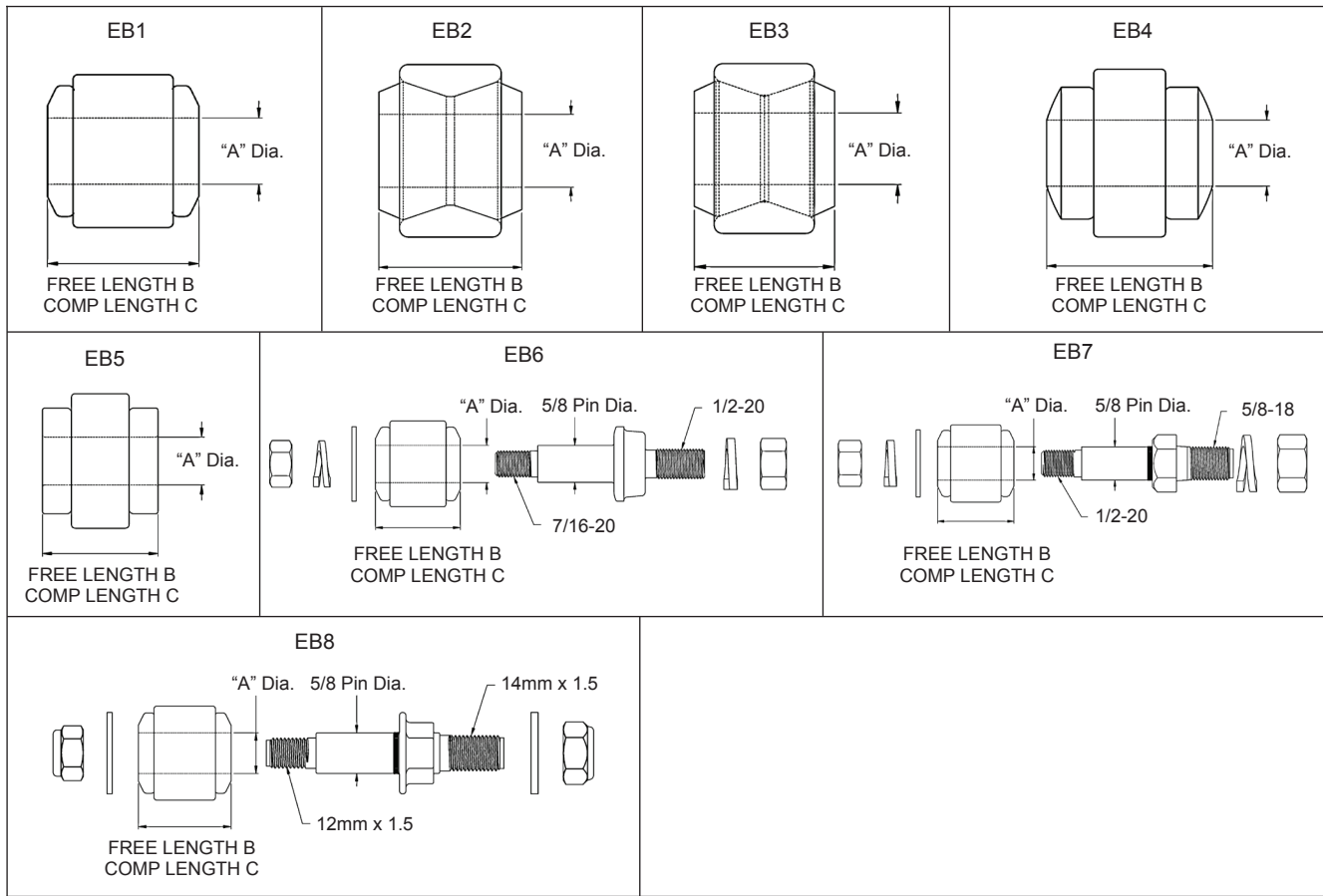
| MOUNTING CODE | TYPE | A | B | C | D | E |
|---------------|------|------|------|------|------|------|
| BP1 | 1 | 2.72 | 2.20 | 0.33 | -- | -- |
| BP2 | 1 | 3.59 | 3.12 | 0.32 | -- | -- |
| BP3 | 1 | 2.82 | 2.38 | 0.33 | -- | -- |
| BP4 | 1 | 3.19 | 2.38 | 0.33 | -- | -- |
| BP5 | 1 | 3.19 | 2.75 | 0.33 | -- | -- |
| BP6 | 1 | 4.25 | 3.62 | 0.33 | -- | -- |
| BP7 | 2 | 3.13 | 2.50 | 0.35 | 0.42 | -- |
| BP8 | 2 | 3.50 | 2.87 | 0.35 | 0.42 | -- |
| BP9 | 1 | 3.38 | 2.60 | 0.35 | 0.57 | -- |
| BP10 | 2 | 3.5 | 2.74 | 0.50 | 0.50 | -- |
| BP11 | 1 | 2.96 | 2.52 | 0.33 | -- | -- |
| BP12 | 1 | 3.75 | 3.14 | 0.33 | -- | -- |
| BP13 | 1 | 3.45 | 3.00 | 0.33 | -- | -- |
| BP14 | 2 | 3.43 | 2.87 | 0.45 | -- | -- |
| BP15 | 4 | 4.56 | 3.62 | 0.39 | 0.47 | 0.39 |

| MOUNTING CODE | TYPE | A | B | C | D | E |
|---------------|------|------|------|------|------|----|
| BP17 | 1 | 3.11 | 2.61 | 0.33 | -- | -- |
| BP18 | 1 | 3.75 | 3.14 | 0.39 | -- | -- |
| BP19 | 1 | 3.19 | 2.62 | 0.33 | -- | -- |
| BP20 | 1 | 3.59 | 3.12 | 0.33 | -- | -- |
| BP26 | 3 | 3.06 | 2.37 | 0.26 | -- | -- |
| BP27 | 2 | 4.00 | 2.95 | 0.52 | 0.50 | -- |
| BP29 | 2 | 4.00 | 2.95 | 0.37 | 0.49 | -- |
| BP30 | 1 | 3.00 | 2.25 | 0.34 | -- | -- |
| BP31 | 3 | 3.50 | 2.87 | 0.35 | -- | -- |
| BP32 | 2 | 3.45 | 2.83 | 0.42 | -- | -- |
| BP33 | 2 | 4.44 | 3.62 | 0.39 | 0.47 | -- |
| BP34 | 1 | 3.81 | 2.99 | 0.41 | -- | -- |
| BP35 | 2 | 3.53 | 2.73 | 0.38 | 0.38 | -- |
| BP36 | 2 | 4.72 | 3.38 | 0.52 | 0.52 | -- |

MOUNTING CODE "SP" SPECIAL MOUNTS

Part numbers with "SP" mounting codes are unique to the application. Please reference the specific OE or Gabriel part for dimensions. If you have any further questions or concerns, contact the Gabriel® Answerman at 1.800.999.3903.

MOUNTING CODE "EB" EYE RING AND BUSHING



| MOUNTING CODE | A DIAMETER | B FREE LENGTH | C COMP. LENGTH | VEHICLE MOUNTING PIN DIAMETER |
|---------------|------------|---------------|----------------|---|
| EB1 | 5/8 | 1.44 | 1.31 | 5/8 |
| EB2 | 3/4 | 1.75 | 1.50 | 3/4 |
| EB3 | 1.00 | 1.91 | 1.75 | 1.00 |
| EB4 | 11/16 | 1.72 | 1.55 | 11/16 |
| EB5 | 5/8 | 1.51 | 1.25 | 5/8 |
| EB6 | 5/8 | 1.44 | 1.31 | Mounting pin furnished with shock absorber for 1/2 dia. vehicle mounting hole. |
| EB7 | 5/8 | 1.44 | 1.31 | Mounting pin furnished with shock absorber for 5/8 dia. vehicle mounting hole. |
| EB8 | 5/8 | 1.44 | 1.31 | Mounting pin furnished with shock absorber for 14MM dia. vehicle mounting hole. |
| EB9 | 1 | 1.75 | -- | 1 |
| EB10 | 1.00 | 1.00 | -- | 1.00 |
| EB11 | 3/8 | 0.83 | -- | 3/8 |
| EB12 | 10MM | 1.18 | -- | 10MM |
| EB13 | 12MM | 1.03 | -- | 12MM |
| EB14 | 15MM | 1.41 | -- | 15MM |
| EB15 | 15MM | 1.76 | -- | 15MM |
| EB16 | 16MM | 1.5 | -- | 16MM |
| EB17 | 17MM | 1.18 | -- | 17MM |
| EB18 | 19MM | 1.65 | -- | 19MM |
| EB19 | 20MM | 1.75 | -- | 20MM |
| EB20 | 45/64 | 1.05 | -- | 45/64 |
| EB21 | 45/64 | 1.39 | -- | 45/64 |